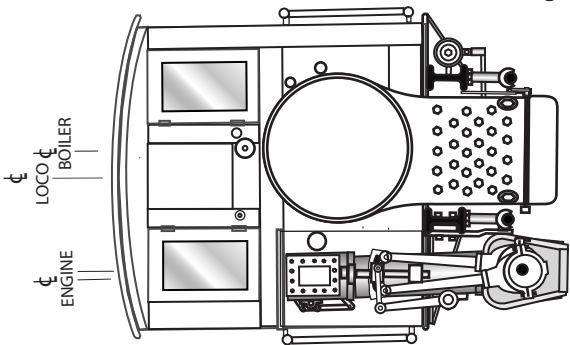
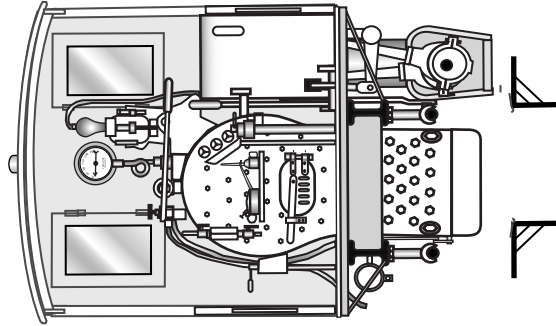


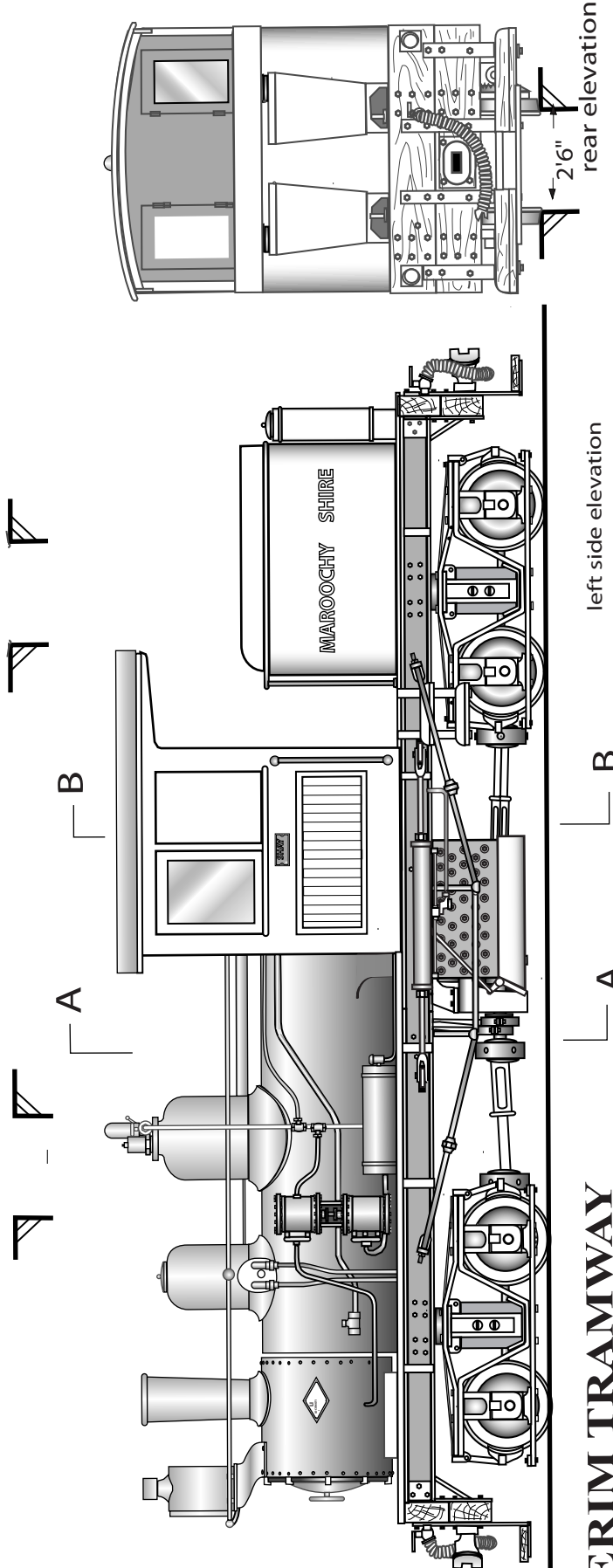
Drawn from Photographs only
100% accuracy not guaranteed



CROSS SECTION B - B



CROSS SECTION A - A



BUDERIM TRAMWAY

Shay Locomotive

Built by Lima Locomotive Works

in 1915 B/n 2823

Scale 1/4 inch = 1 foot 1 : 48

Digitally drawn by Jim Fainges 2003